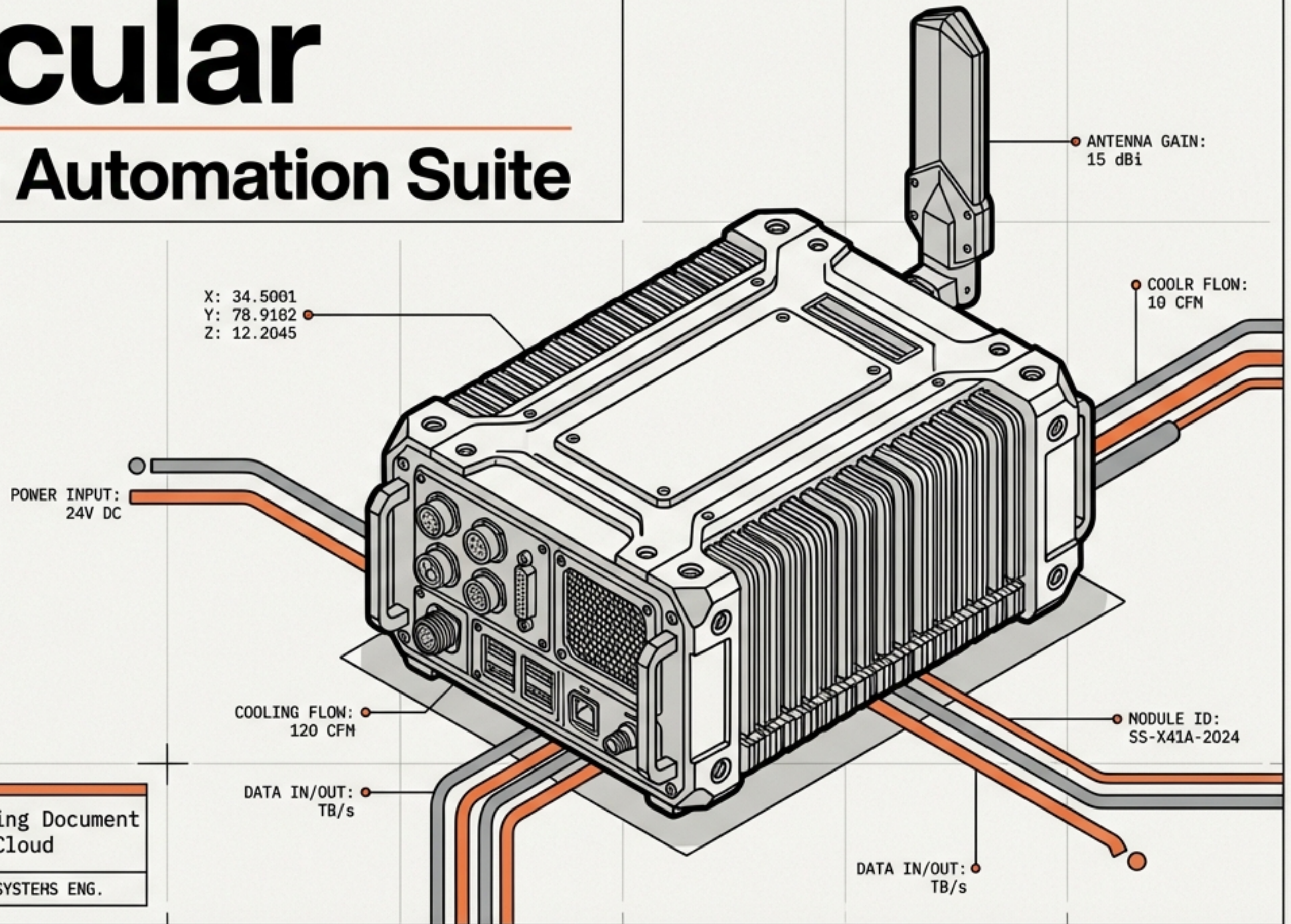


# DeReticular

## The Sovereign Automation Suite



Highly Confidential | Internal Briefing Document  
Status: Active | Architecture: Post-Cloud

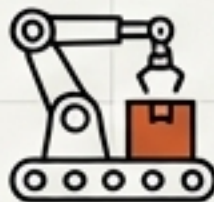
REV: A.01 | DATE: 2024.10.26 | DEPT: INDUSTRIAL SYSTEMS ENG.

# THE PRIVACY PARADOX IN ENTERPRISE AI

## THE DESIRE: EFFICIENCY



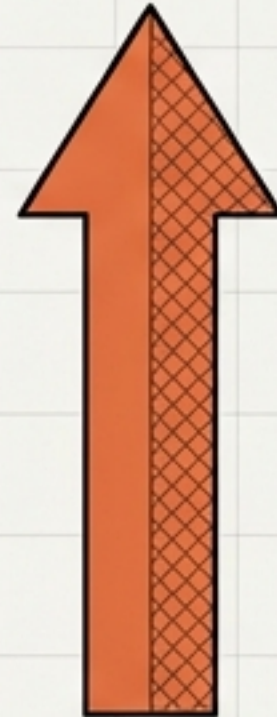
- Rapid Code Generation



- Autonomous Logistics

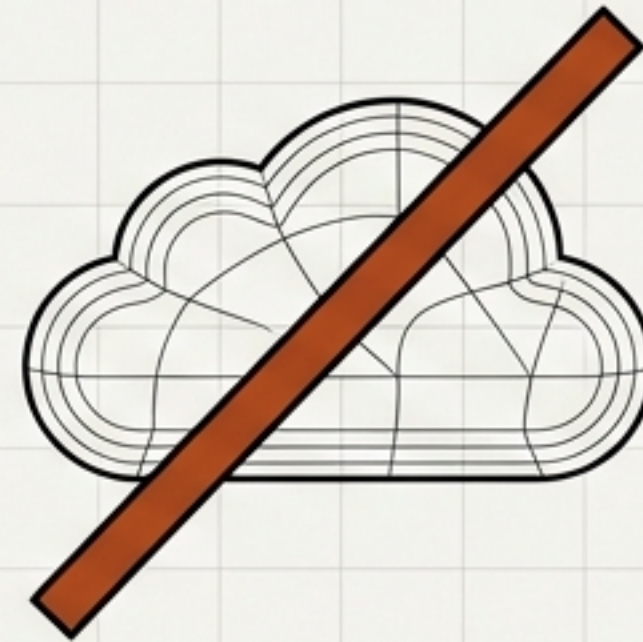


- Active Security Monitoring



OPERATIONAL  
ADVANTAGE

## THE DANGER: EXFILTRATION



- Exfiltration of Proprietary IP



- Leakage of Security Keys

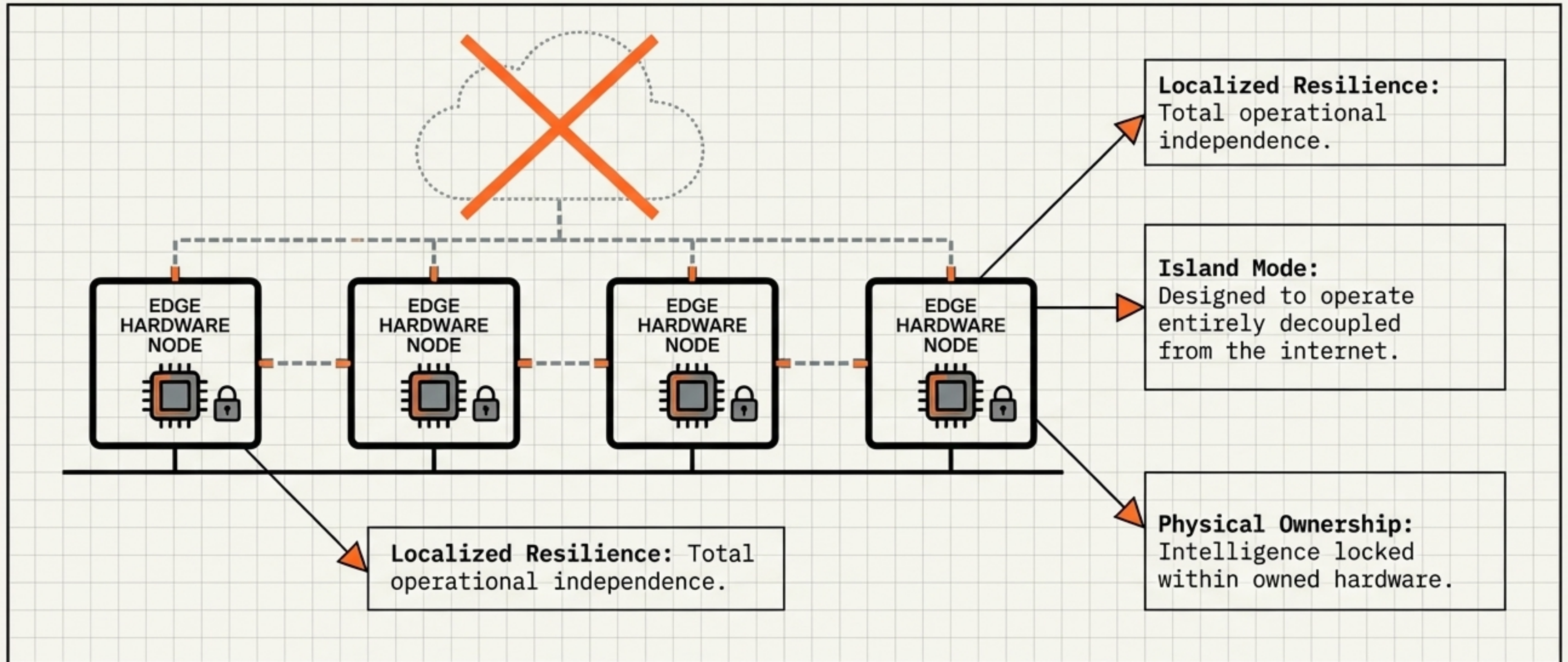


- Total Reliance on Remote Servers

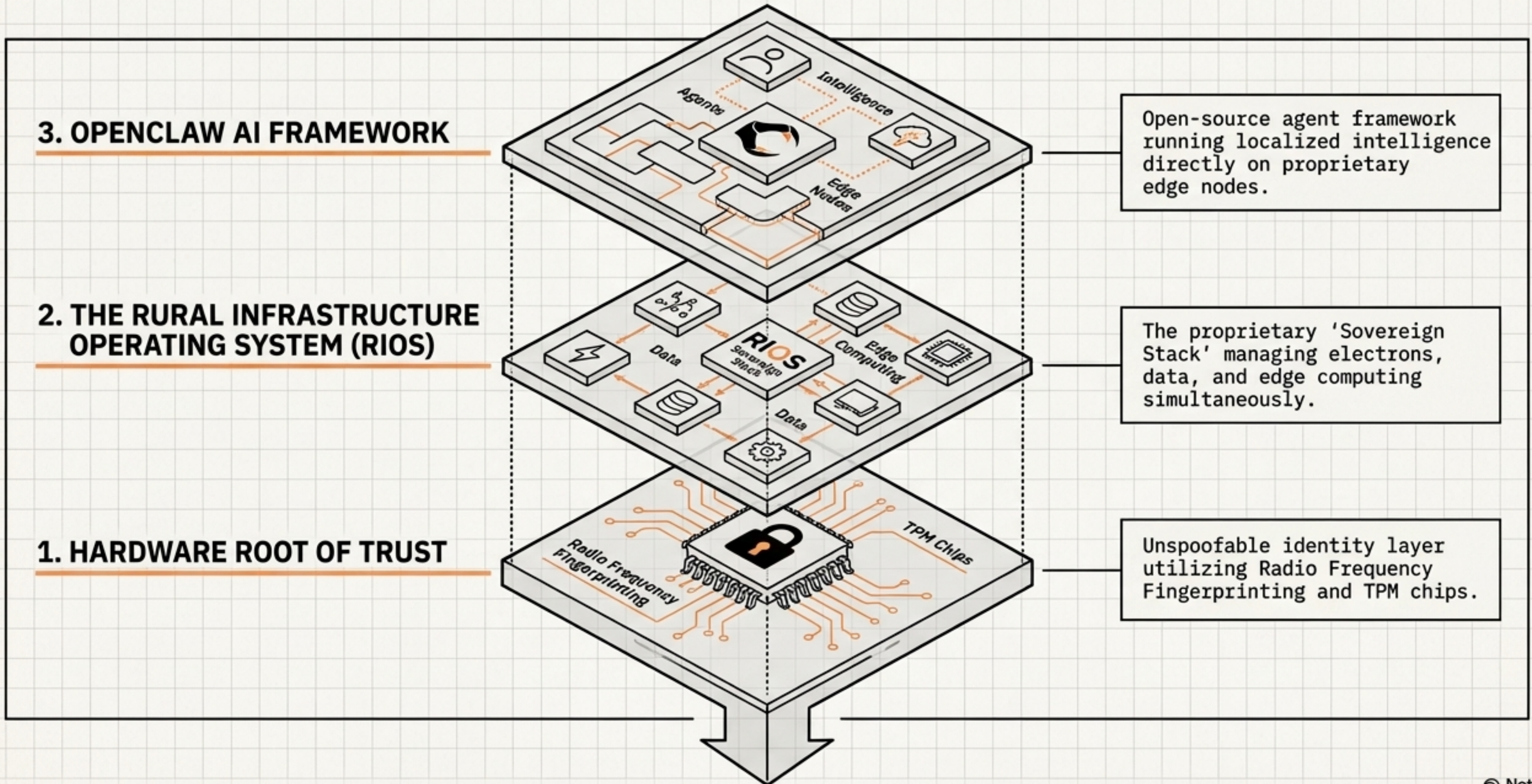


Enterprises demand the intelligence of Large Language Models, but have zero tolerance for sending highly sensitive data off-site.

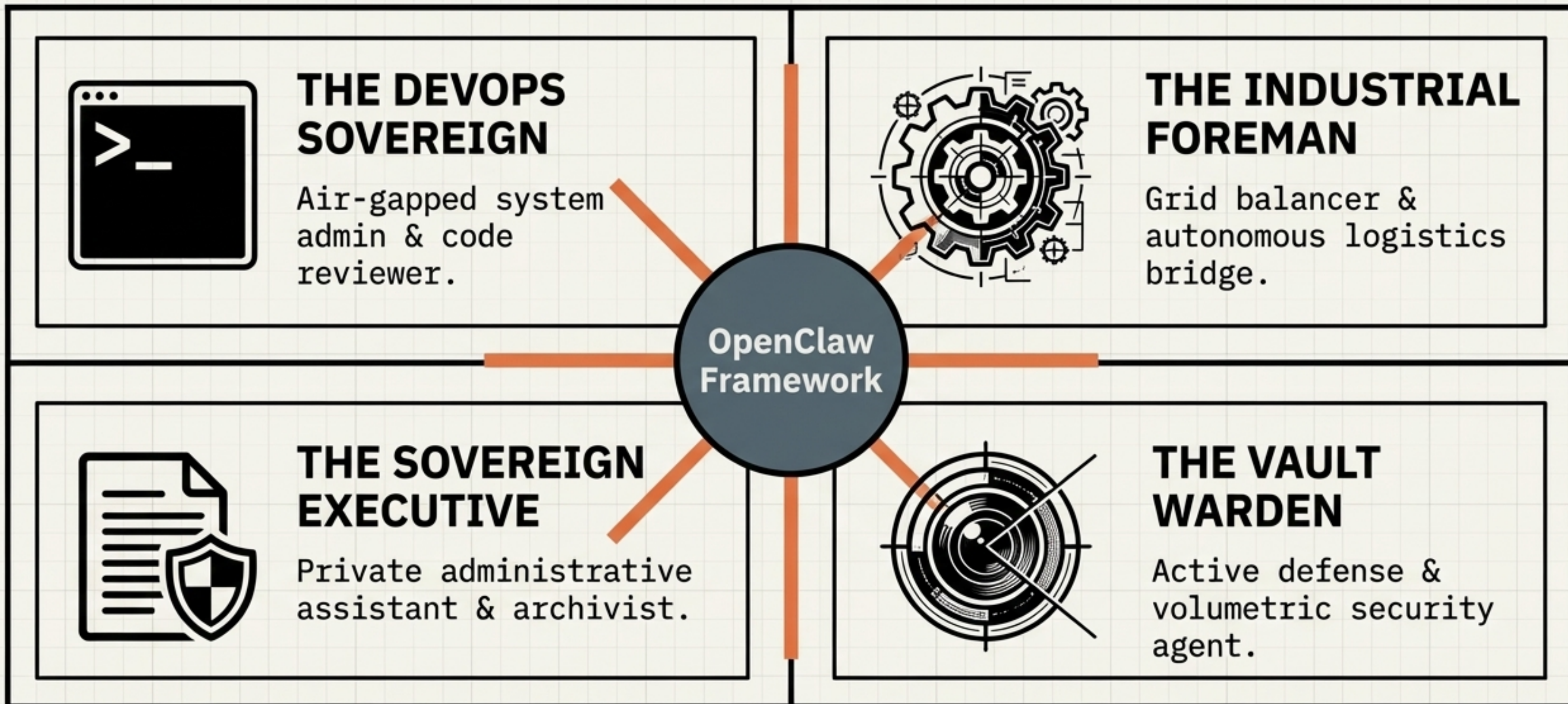
# SOVEREIGN INFRASTRUCTURE & POST-CLOUD ARCHITECTURE



# THE CORE TECHNOLOGY STACK



# DEPLOY YOUR AUTONOMOUS DIGITAL EMPLOYEES



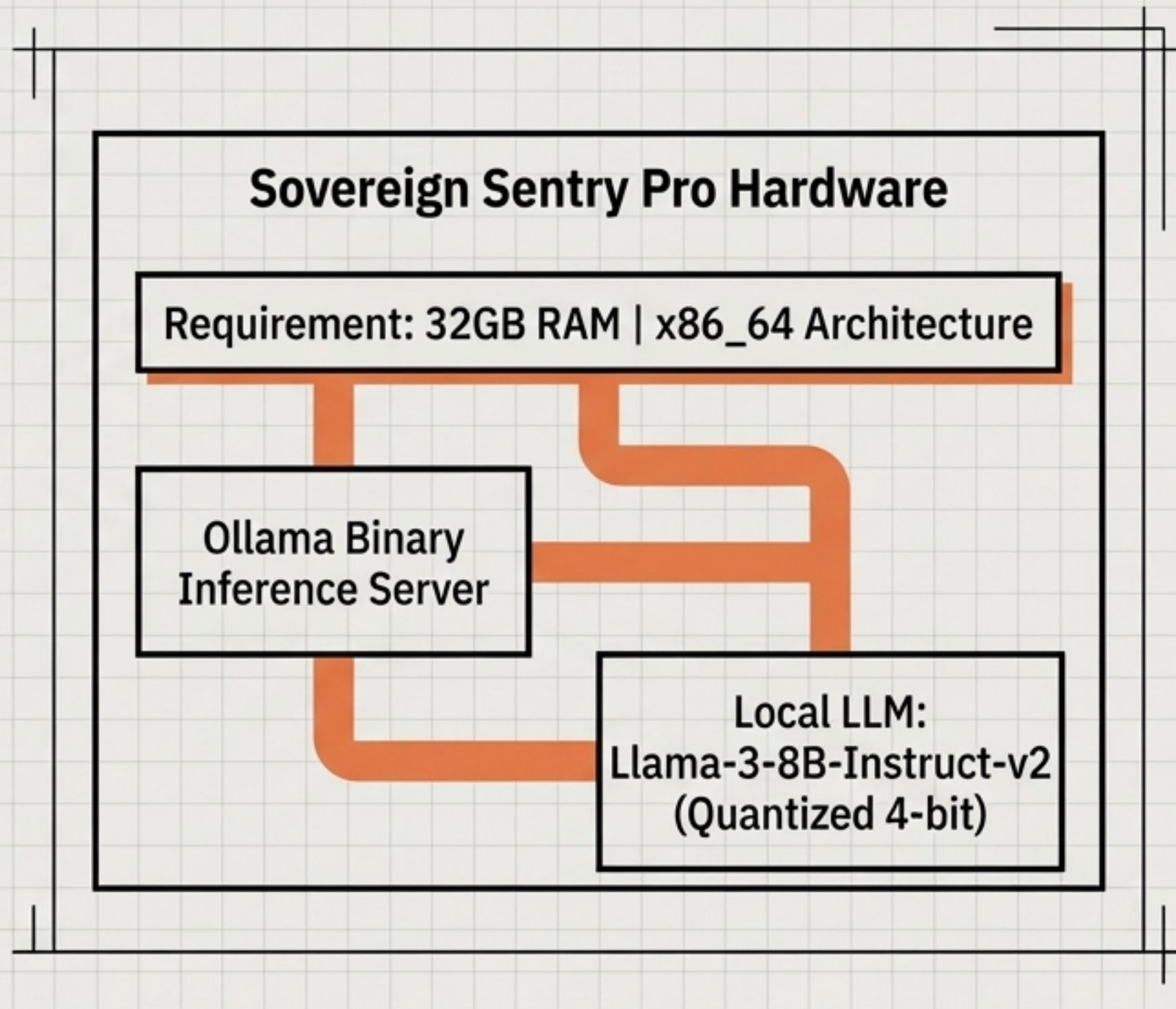
Blue-Collar AI agents built specifically for physical-world execution.

# THE DEVOPS SOVEREIGN

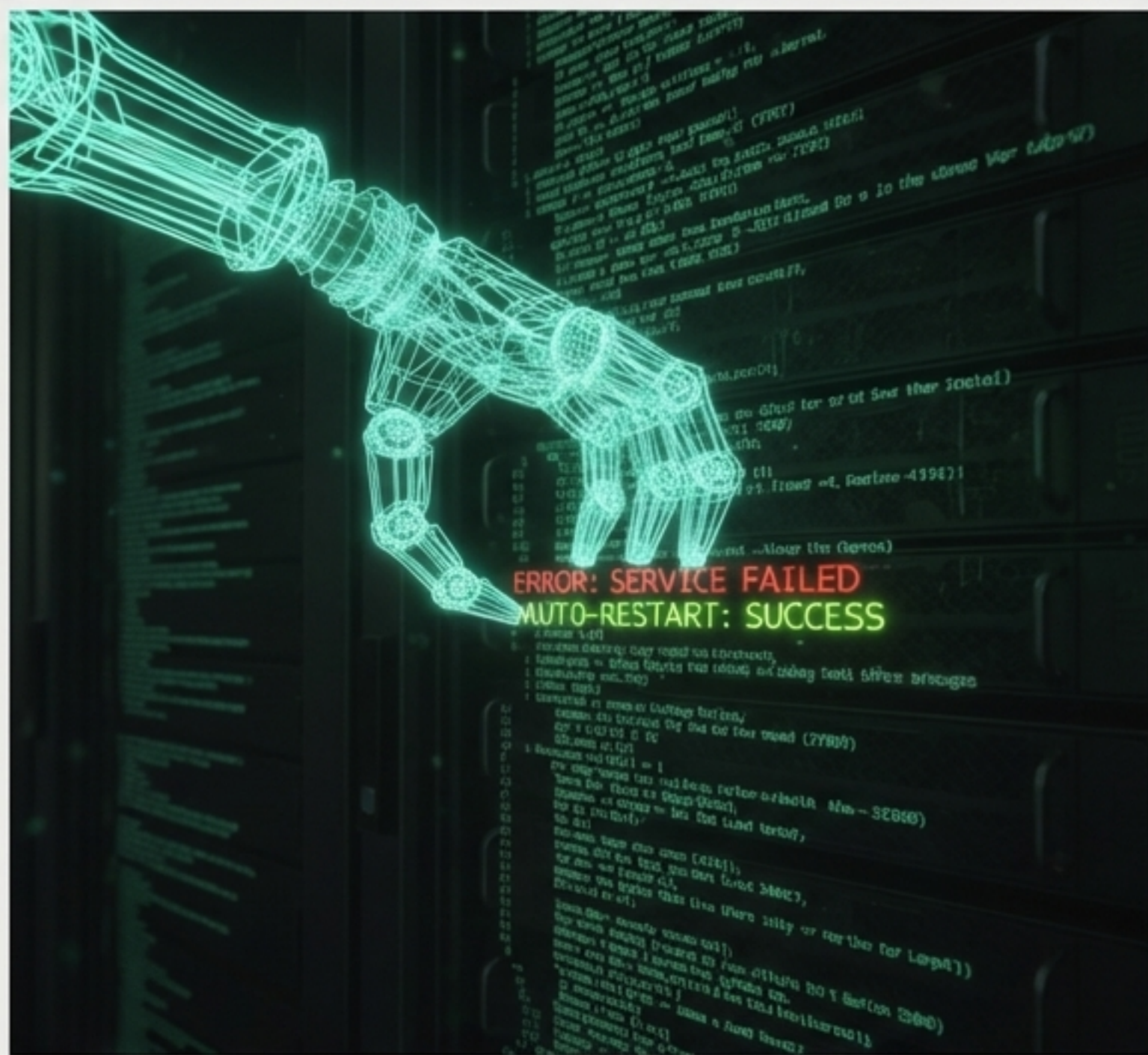
**SKU SOV-AUTO-DEV | Price: \$499.00 (Perpetual)**

**TARGET PROFILE:** CTOs, Lead Developers, Security Architects.

**CORE ROLE:** Air-gapped code reviewer, log sentinel, and self-healing system administrator.



# DEEP ADMIN IN ACTION



TERMINAL WINDOW CAPTURE

## 1. Code Audit

Agent → Local Gitea/GitLab → Scans commits → Flags SQL Injections & Credentials

## 2. Log Sentinel

Agent → Parses /var/log/syslog → Detects SSH Brute Force → Triggers pfSense Ban

## 3. Self-Healing

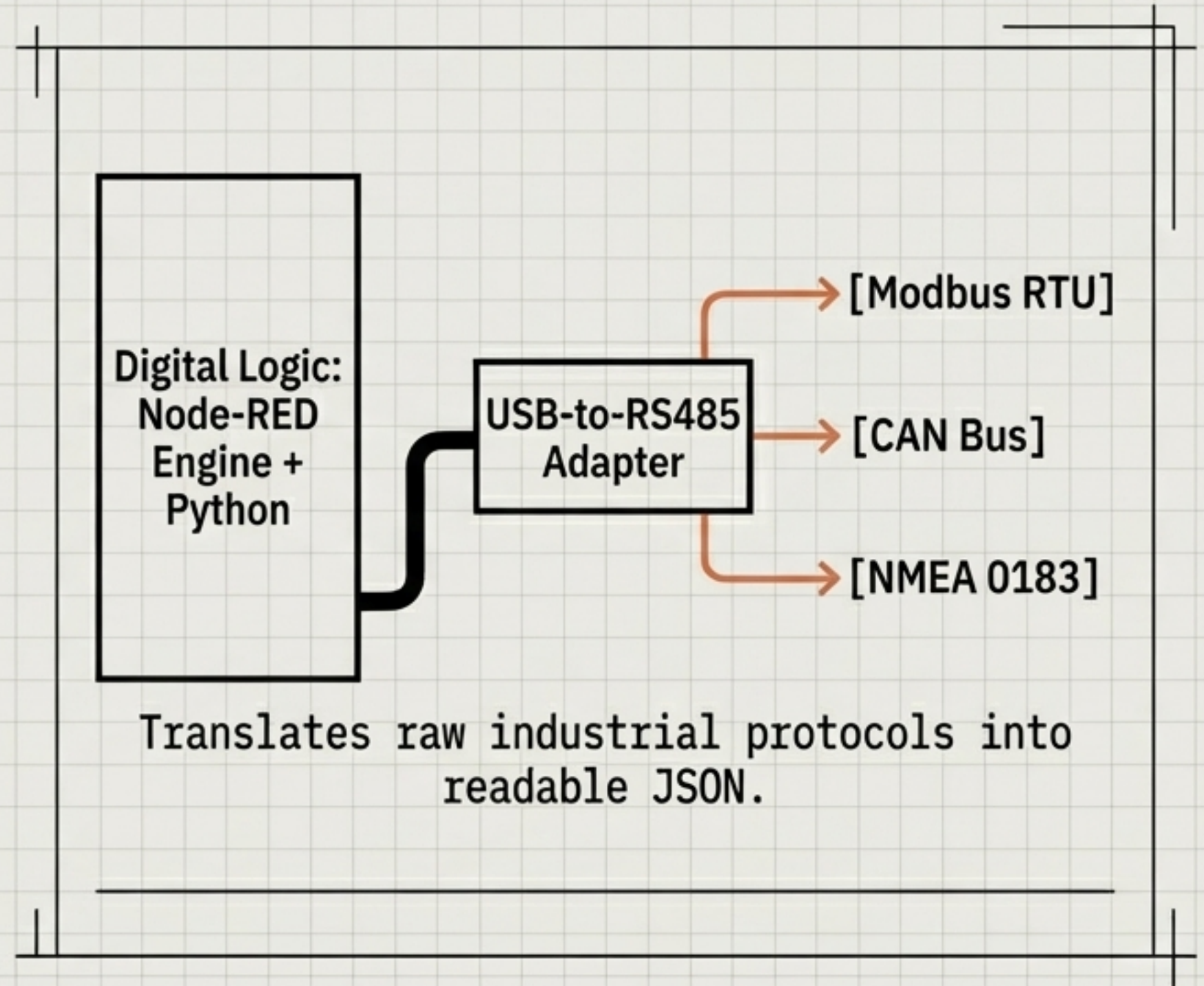
SystemD Watchdog → Detects Service Failure → AI Executes Runbook → Restarts Service

# THE INDUSTRIAL FOREMAN

SKU SOV-AUTO-GRID | Price: \$299.00 (License + Hardware)

**TARGET PROFILE:** Farmers, Microgrid Operators, Logistics Fleet Managers.

**CORE ROLE:** The definitive bridge between digital logic and heavy physical machinery.



# Managing Grids & Autonomous Logistics



IBM Plex Mono: Stationary: Grid Balancer

[POLL] Battery State + Solar Input



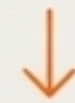
[LOGIC] IF Excess Power Generated



[ACTION] Route power to physical  
dump loads (Water Heaters)

IBM Plex Mono: Supply Chain Diplomat

[POLL] Nomad Node GPS Geofencing



[LOGIC] IF Approaching Border



[ACTION] Autonomously generate, sign,  
and email customs manifests

# The Sovereign Executive

SKU SOV-AUTO-EXEC | Price: \$199.00 (Perpetual)

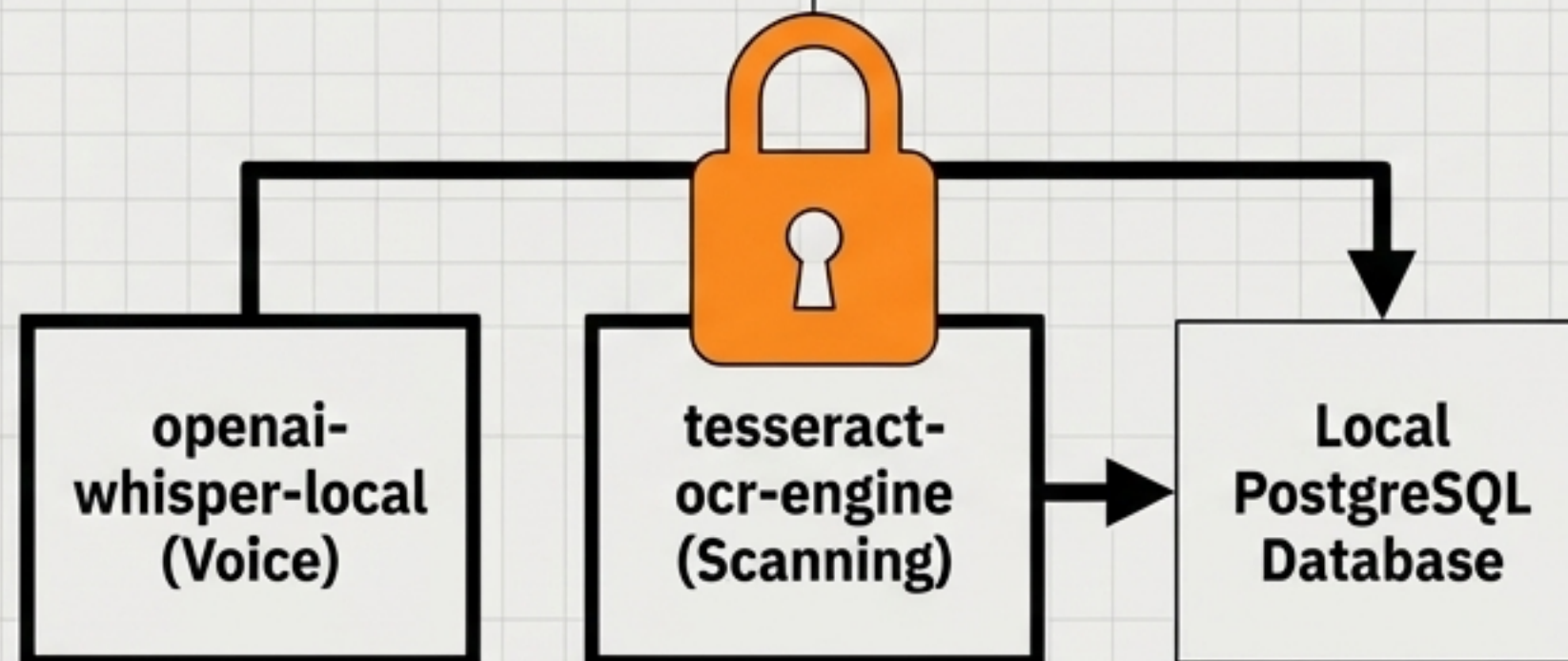
TARGET PROFILE: Solopreneurs, Lawyers, Private Consultants.

CORE ROLE: Autonomous administrative assistant, archivist, and scheduler.

- Self-contained local operation; zero cloud dependency.
- Encrypted local storage for sensitive documents.
- Automated scheduling via local calendar API.

Containerized Suite

Hardware Requirement:  
Fast NVMe Storage | 8GB+ RAM

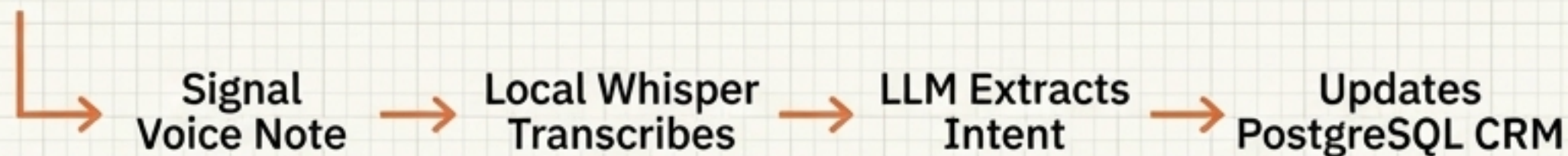


# AIR-GAPPED ADMINISTRATIVE AUTOMATION

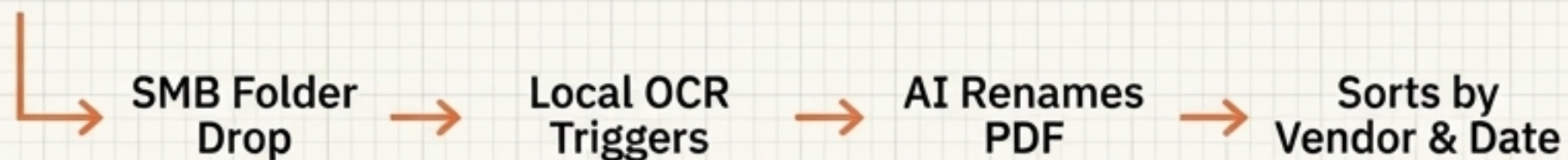


**ZERO EXFILTRATION**

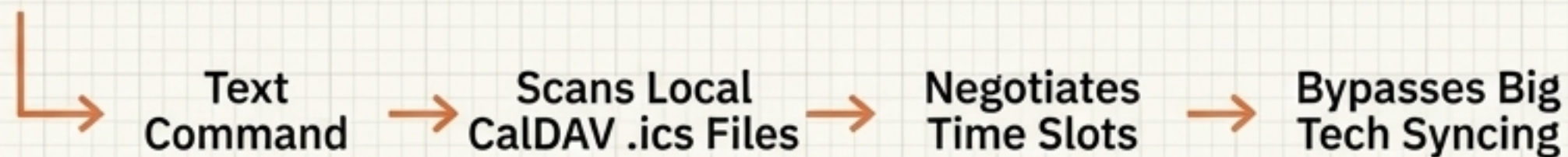
## Voice CRM (The Scribe)



## The Archivist



## The Gatekeeper

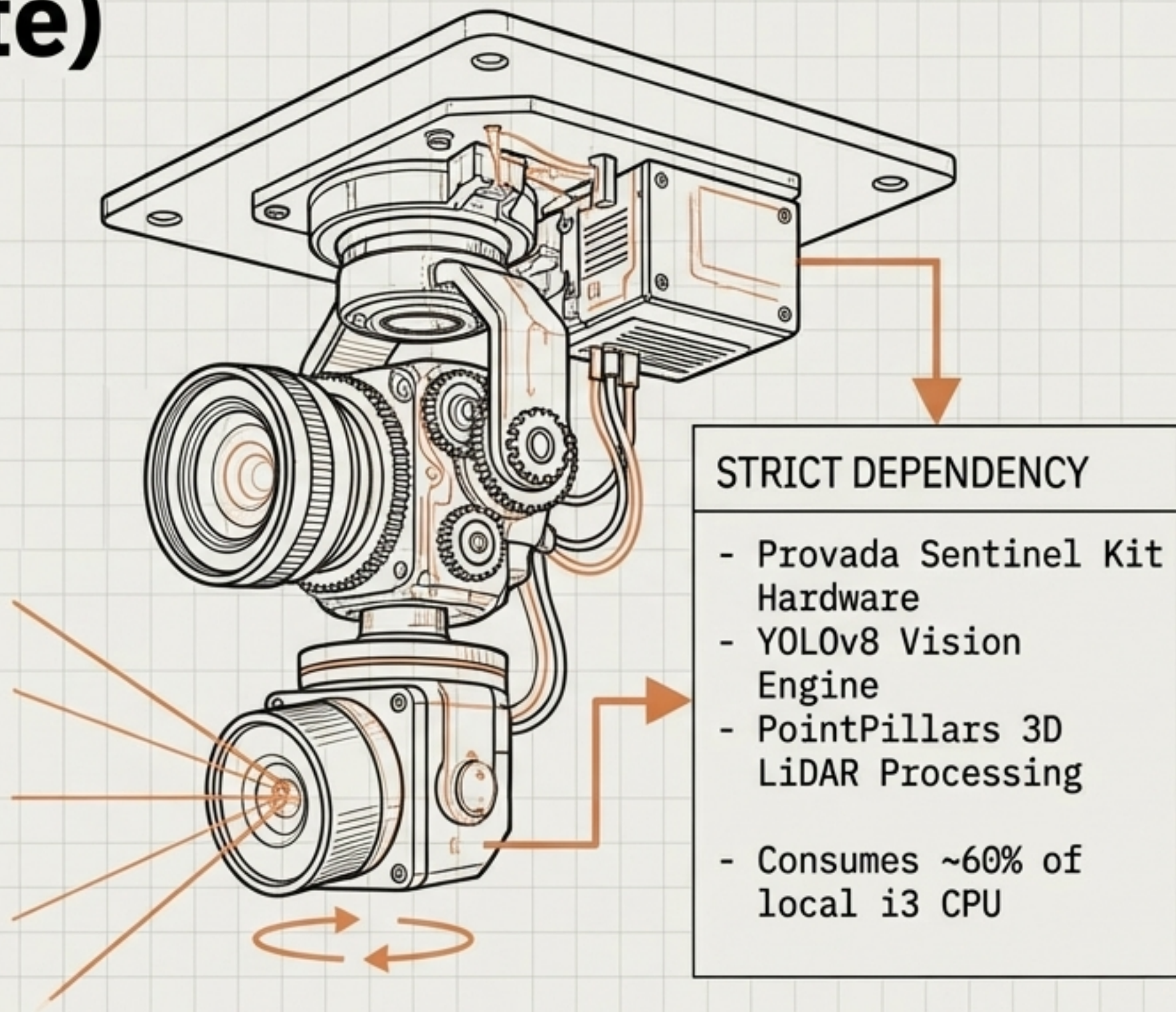


# The Vault Warden (Provada Security Suite)

SKU SOV-AUTO-VAULT | Price: \$99.00 / Month (SaaS)

TARGET PROFILE: Freeport Managers,  
Gallery Directors, Private Collectors.

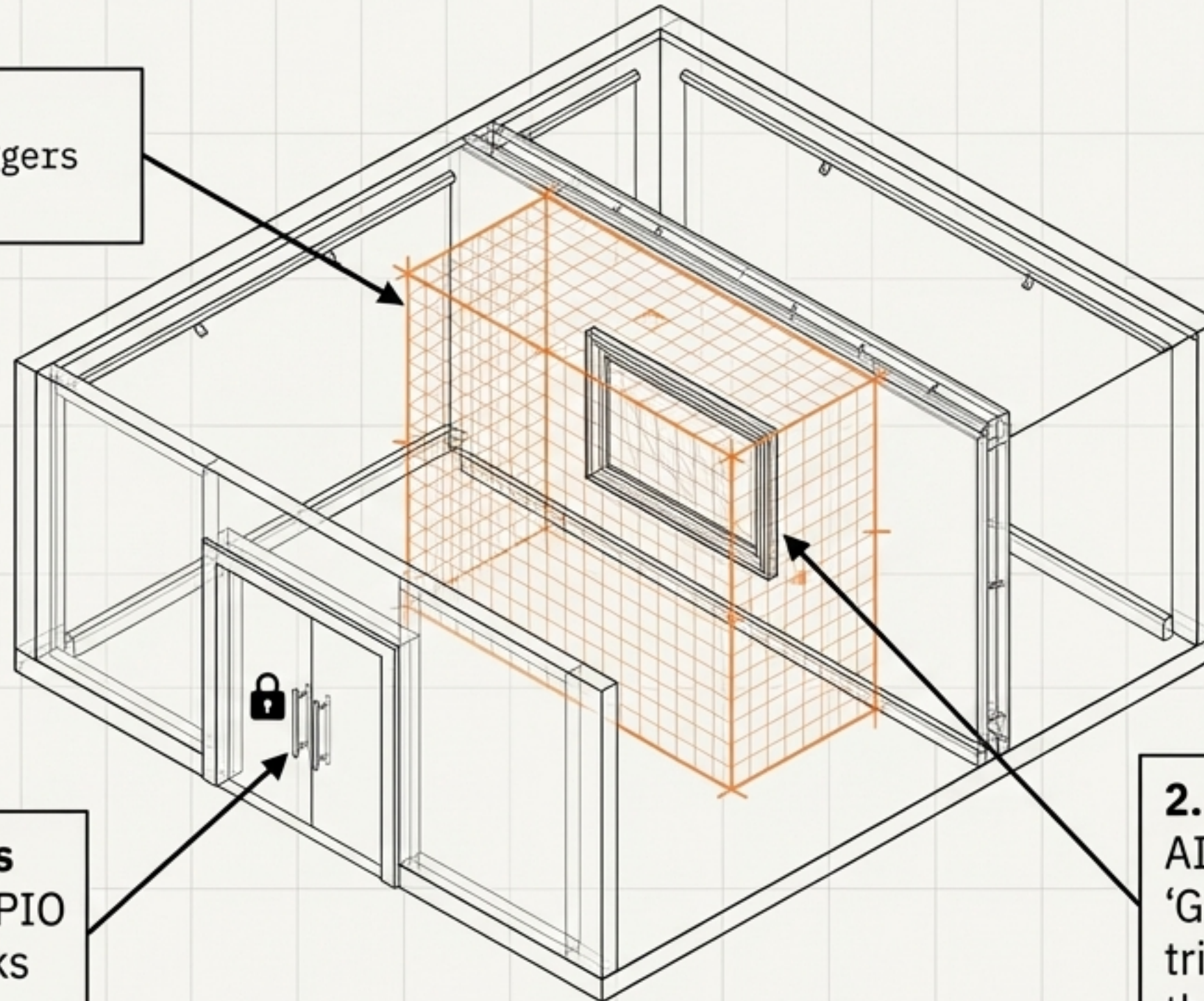
CORE ROLE: Active defense agent for  
physical security, volumetric  
monitoring, and spectral  
authentication.



# Volumetric Defense & Spectral Provenance

## 1. Volumetric Security

Mass displacement >2mm triggers instant local timestamps.



## 3. Active Countermeasures

Threat Detected -> Local GPIO Interface -> Physically locks magnetic doors instantly.

## 2. Spectral Provenance

AI verifies pigment against the 'Golden State'. Mismatches trigger a Ledger Burn, marking the NFT as compromised.

# Uncompromising Risk Mitigation

## [R-HW-01] Hardware Protection

Installation scripts hard-block deployment if RAM < 30GB, preventing Resource Starvation and Out-Of-Memory crashes.

## [R-LOG-01] Physical Safety

Mandatory 5-minute 'Hysteresis' delays hard-coded to prevent infinite logic loops from rapidly toggling and destroying physical relays.

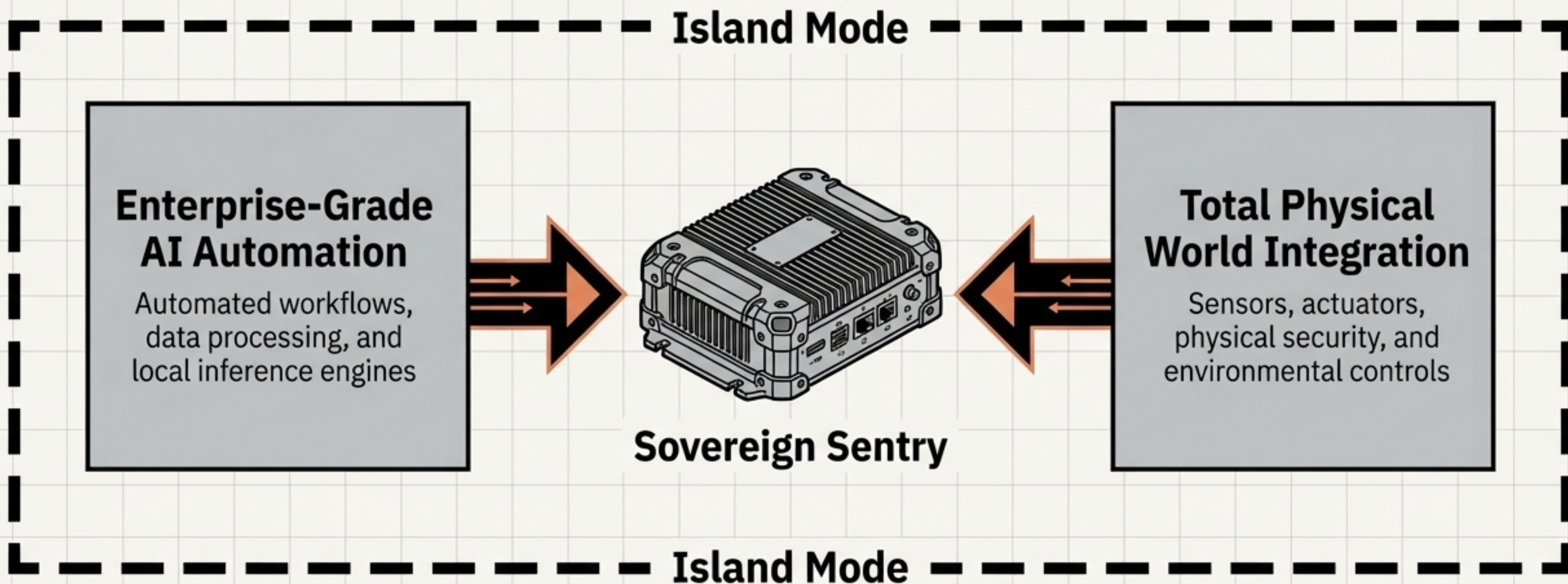
## [R-PRIV-01] Privacy Enforcement

Explicit system blocks against syncing with Google Calendar. Forces localized Nextcloud deployment to prevent Big Tech metadata leaks.

## [R-PWR-01] Active Defense Resilience

Nomad Failover utilizes a battery elimination circuit and LTE to blast physical theft alerts even if main building power and Wi-Fi are severed.

# Absolute Digital Sovereignty



**Intelligence isolated entirely inside user-owned, hardware-verified nodes.**

Privacy, offline capability, and physical control are non-negotiable.